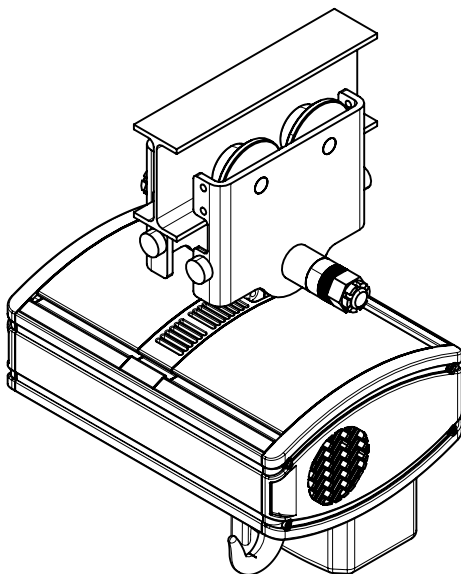
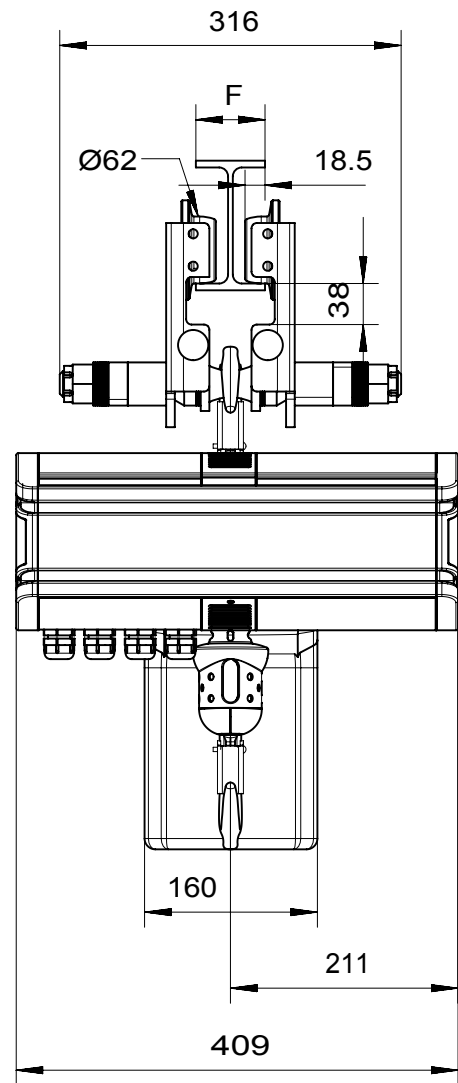
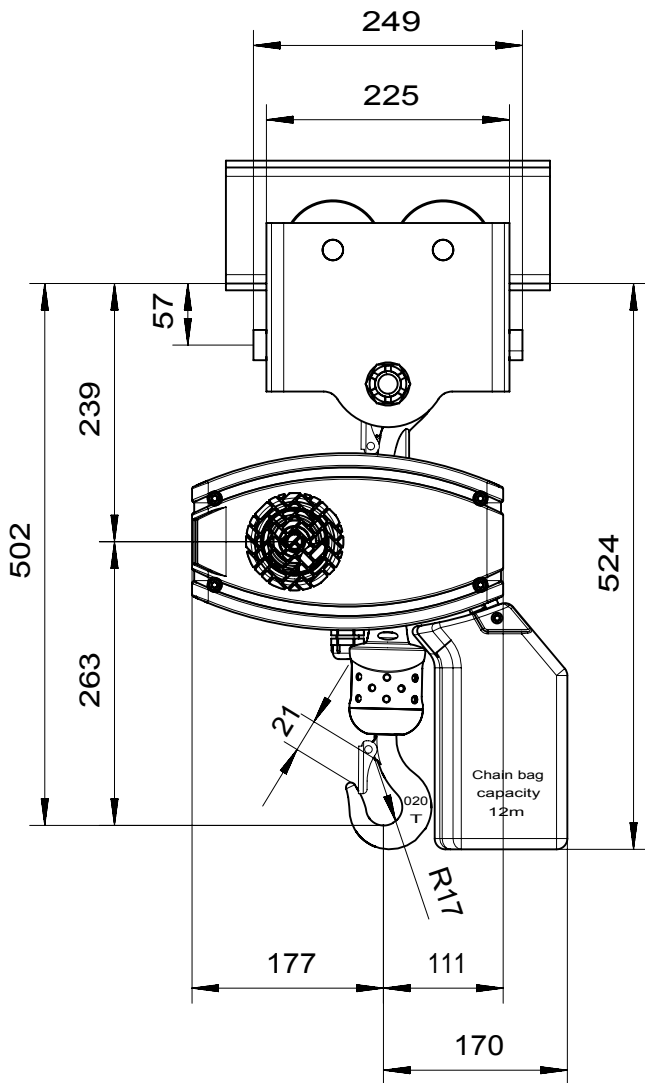


## Fixed to push trolley (perpendicular version)



$$65 < F < 200$$

	Without chain	With 3m of chain
Weight	39.2 kg	40.9 kg